

Accessories

CAPSTAN SERIES

Foot Switch Control

Specify FS after unit number when ordering.

Two-position pedal switch on a 10' cord. Available on 12 Volt and 115 Volt units in place of standard hand switch. Used where operator's hands must be free to help direct loads.



Pole Mount Adapter

Part No. 148353

Sturdy steel construction with mounting bolts for bolting adapter to winch frame. Comes complete with chain tightener for securing to pole. Allows same base-mounted unit to be used in either installation.



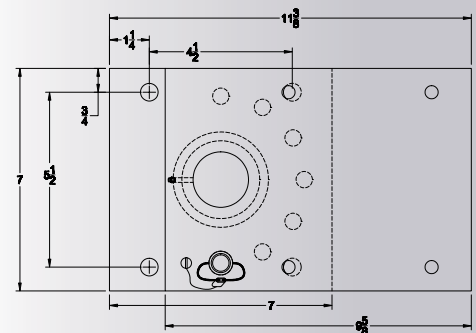
Swivel Mount

Part No. 148331

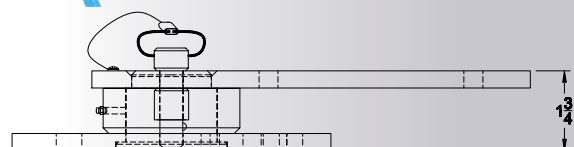
Designed for installation with My-te's Capstan Series Model 30-12 Winch-Hoist. Swivel mount bolts to your truck bed with four 1/2" bolts. Capstan winch frame bolts to swivel mount using tapped mounting holes and hardware provided. Winch rotation allows you to use your winch even when your truck is in an awkward location. Pin stop locks swivel base in one position.



TOP VIEW



SIDE VIEW





Hydraulic Foot Control Valve

Part No. 468060

Works on any My-te hydraulic unit. Perfect solution for when operator's hands must be free to help direct loads. Enlarged diamond plate base and a large reversible foot pedal are easy to feel for and actuate when one's attention must be focused elsewhere.



Receiver Hitch Mount

Part No. 148452

Bolts to the capstan winch-hoist in order to mount the unit using a utility truck's 2" receiver hitch. The mounting plate is shipped with hardware, but the receiver hitch pin is not included. Mounting plate may be used with any current frame style My-te capstan.



Vertical Mount

Model No. 35-12

Ideal for utility trucks, docks, construction sites and maintenance departments. Small enough to be installed with only the capstan drum exposed. Comes complete with forward and reverse foot controls on 10' switch cord.